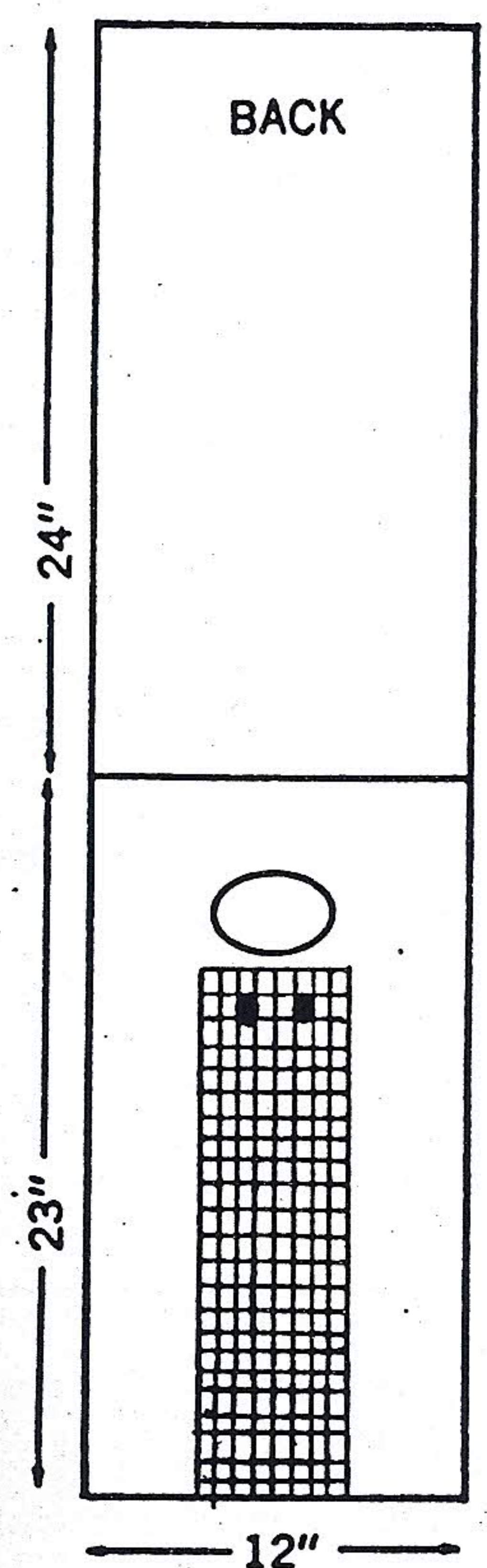
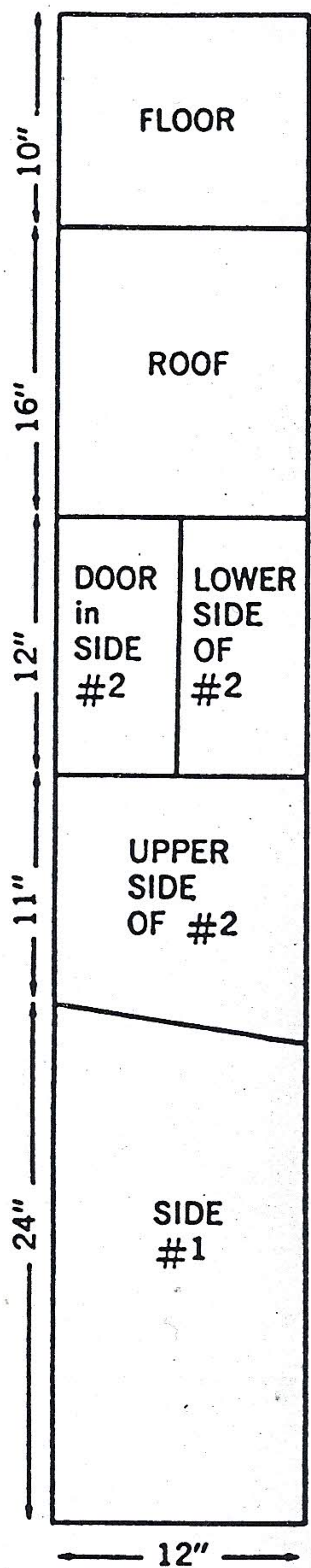
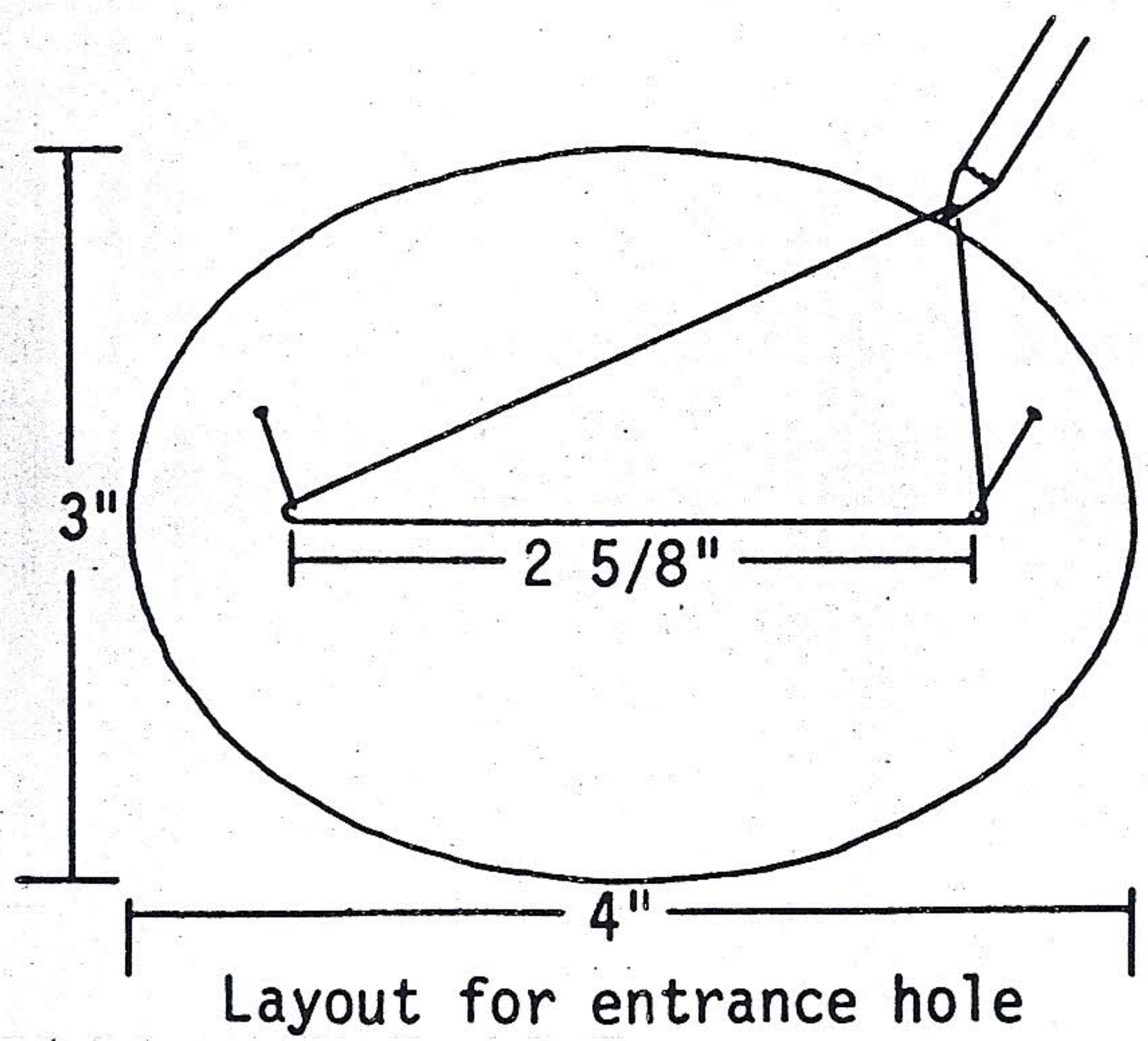
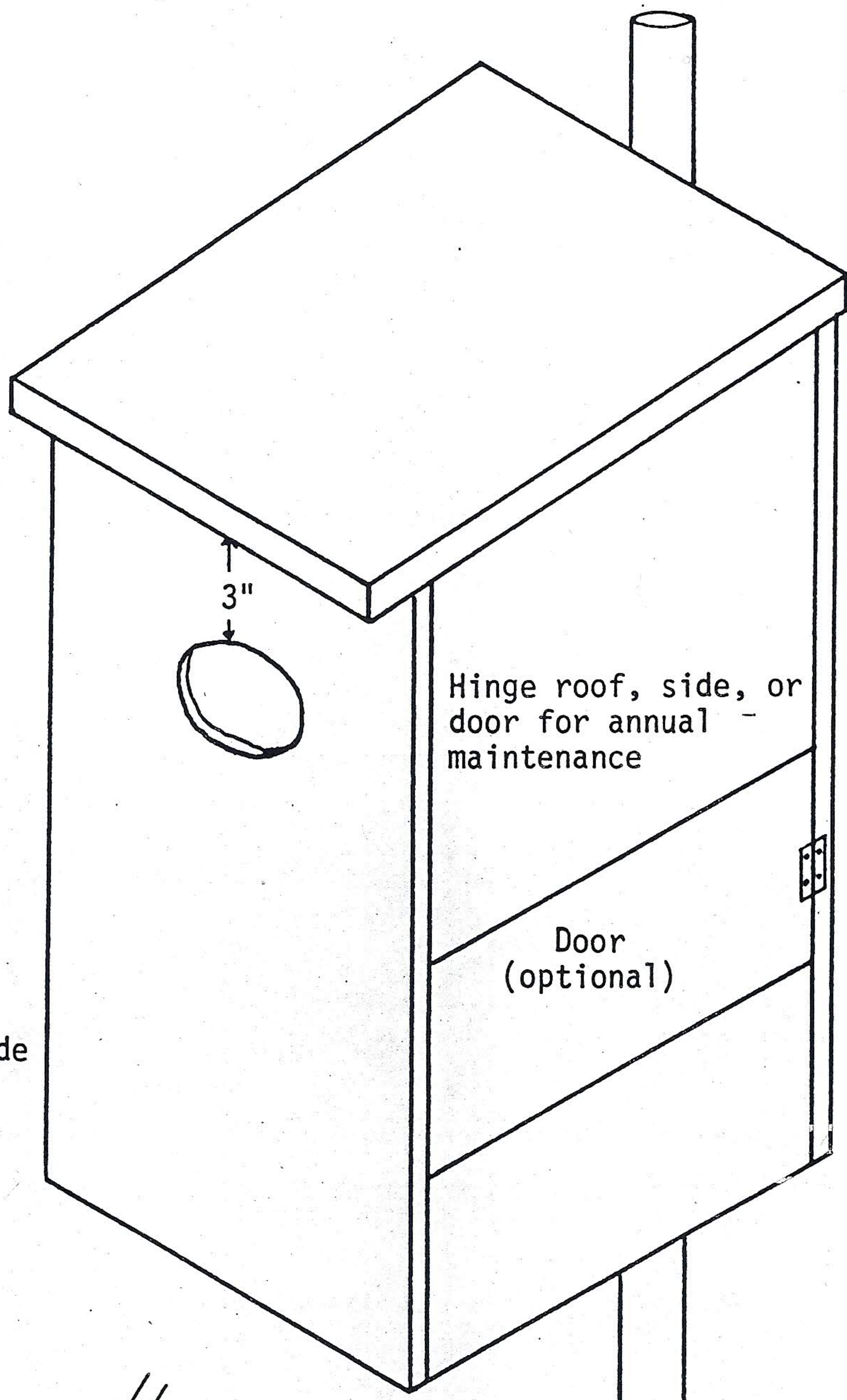


1" x 12" board, preferably cedar, cypress, redwood, or treated lumber



1/2" hardware cloth ladder attached inside under entrance hole



Make loop of string 6 5/8" around. Insert pencil in string and draw ellipse

Layout for entrance hole